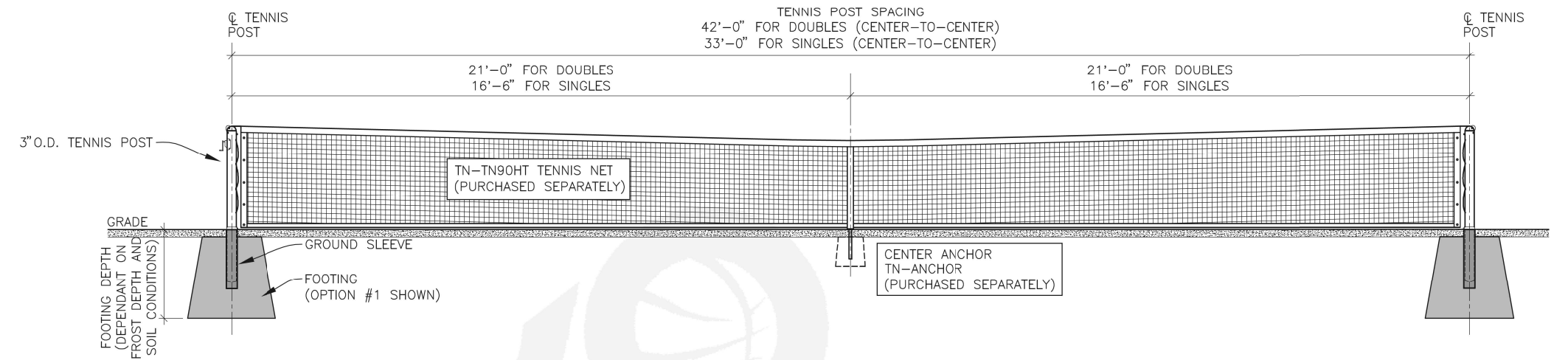


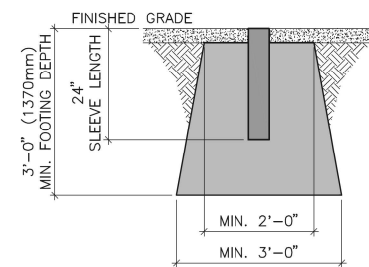
SPECIFICATIONS – HD STEEL GROUND SLEEVES (TOMKO TN-GS24HD)

DIMENSIONS / MATERIALS

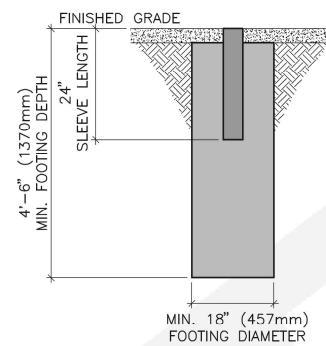
- SCHEDULE 40 PIPE x 24" LONG
 - COMPATIBLE WITH ANY 3" O.D. TENNIS OR PICKLEBALL POST
 - PVC END PLUGS INCLUDED
- CENTER ANCHOR, CENTER STRAP, NETS AND POSTS SOLD SEPARATELY.



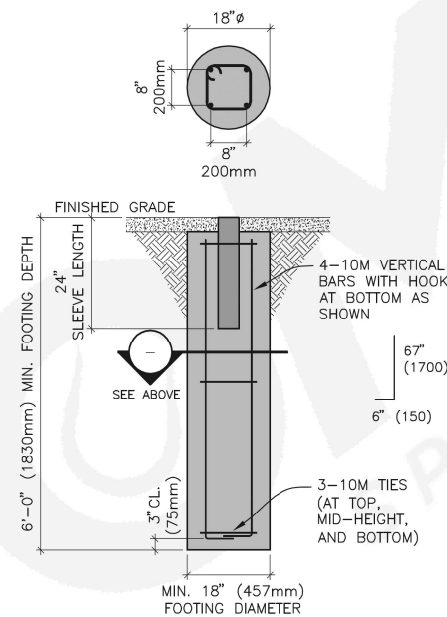
TENNIS SLEEVE SPACING



FOOTING OPTION #1
N.T.S. (GOOD SOIL CONDITIONS)

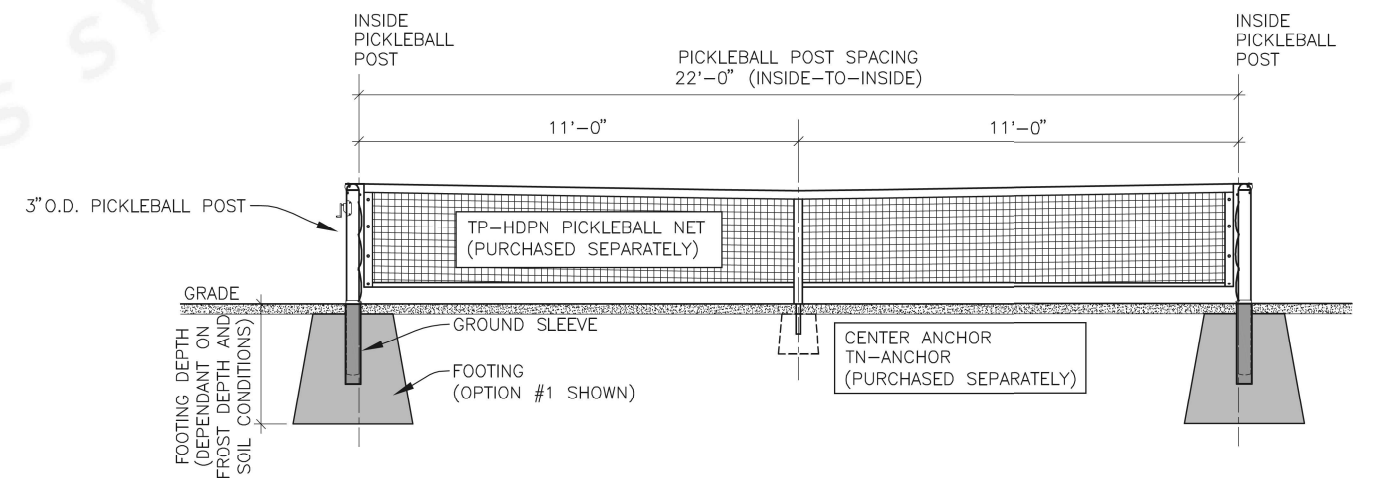


FOOTING OPTION #2
N.T.S. (GOOD SOIL CONDITIONS)



FOOTING OPTION #3
N.T.S. (POOR SOIL CONDITIONS)

ALL FOOTING DESIGNS ARE DEPENDANT ON REGIONAL CONDITIONS, INCLUDING FROST DEPTH, SOIL COMPOSITION, AND OTHER SITE-SPECIFIC FACTORS. FOR AN OFFICIAL RECOMMENDATION, PLEASE CONSULT A QUALIFIED PROFESSIONAL ENGINEER OR TECHNICAL CONSULTANT FAMILIAR WITH LOCAL CONDITIONS.



PICKLEBALL SLEEVE SPACING